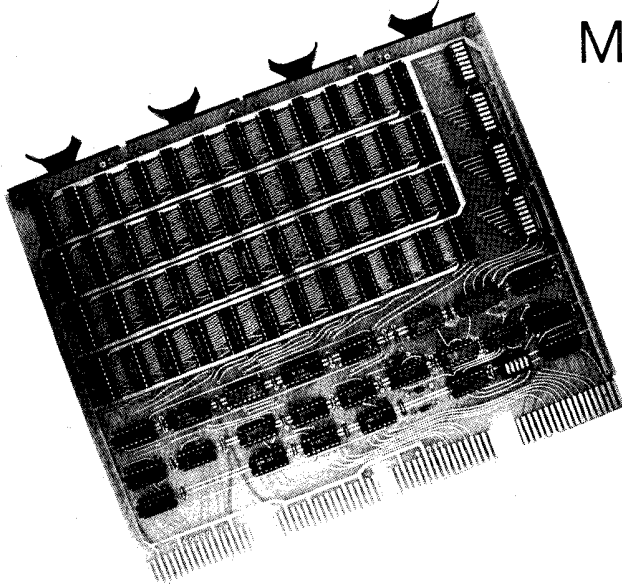


DATA SHEET NO. VM8-5-77



PDP-8[®] Semiconductor Memory Extension System

Expand the memory of your PDP-8A, E, M, or F with this extremely reliable and economical add-in memory system. Designed for optimum flexibility, the VM816 packs up to 16K x 12 of memory – in four independent 4K increments – into one OMNIBUS[®] slot. All you need to take advantage of the VM816 is the DEC[®] Memory Extension, KM8E option or equivalent. This option is required for PDP-8's presently having only 4K of memory.

SYSTEM FEATURES

PDP-8 COMPATIBILITY

The VM816 memory system is completely hardware and software compatible with the PDP-8 A, E, F, or M. It plugs directly into the OMNIBUS.

HIGH MEMORY DENSITY

The memory system offers 16K of memory on a single circuit board – occupying one slot on the OMNIBUS. Thickness of the memory board is less than 0.5 inch eliminating overhang and making every OMNIBUS slot available for use.

FLEXIBILITY

A series of four DIP switches on the board assign the operating field of each 4K memory block, thus permitting memory blocks to be swapped, added in, or taken out at the flip of a DIP switch.

SPECIFICATIONS

Capacity:

Model No.	VM816-16	16384 words	X	12	bits/word
Model No.	VM816-12	12288 words	X	12	bits/word
Model No.	VM816-8	8192 words	X	12	bits/word
Model No.	VM816-4	4096 words	X	12	bits/word

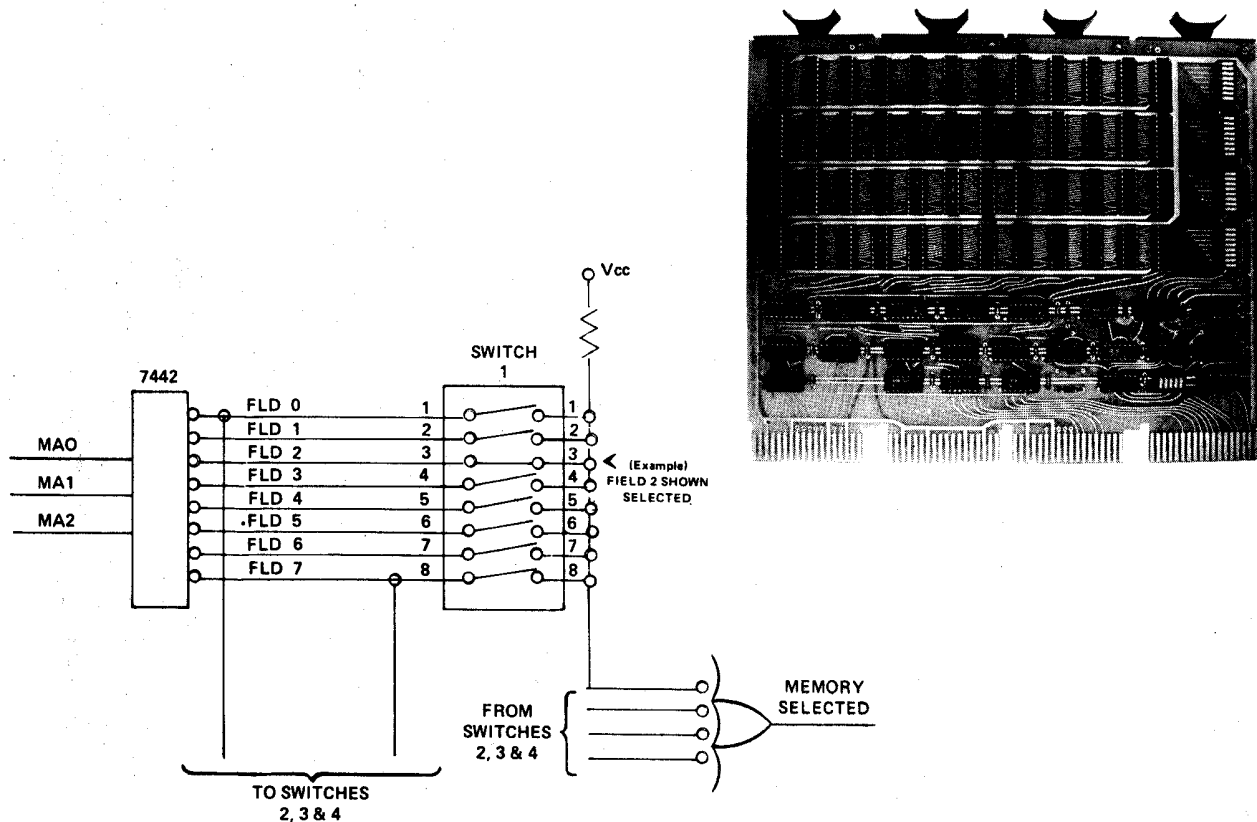
Power Requirements: 3.1 A @ +5VDC per 16K

Dimensions: 10.5 in. X 8.5 in. (Standard quad board size)

PDP-8, OMNIBUS, and DEC are trademarks of the Digital Equipment Corporation.

MEMORY FIELD ASSIGNMENT

The VM816 memory system is composed of four independent 4K memories — A, B, C, and D. To assign any one of the 4K memories to a particular field — they need not be contiguous — simply turn the desired FIELD switch on in the selected 4K memory bank DIP switch and ensure that all other switches are off in that memory bank. The FIELD assignment is shown schematically below.



ONE YEAR WARRANTY

CES, Inc. unconditionally warrant our memory systems for one full year, and will immediately ship a replacement unit upon notification of malfunction.

ORDERING

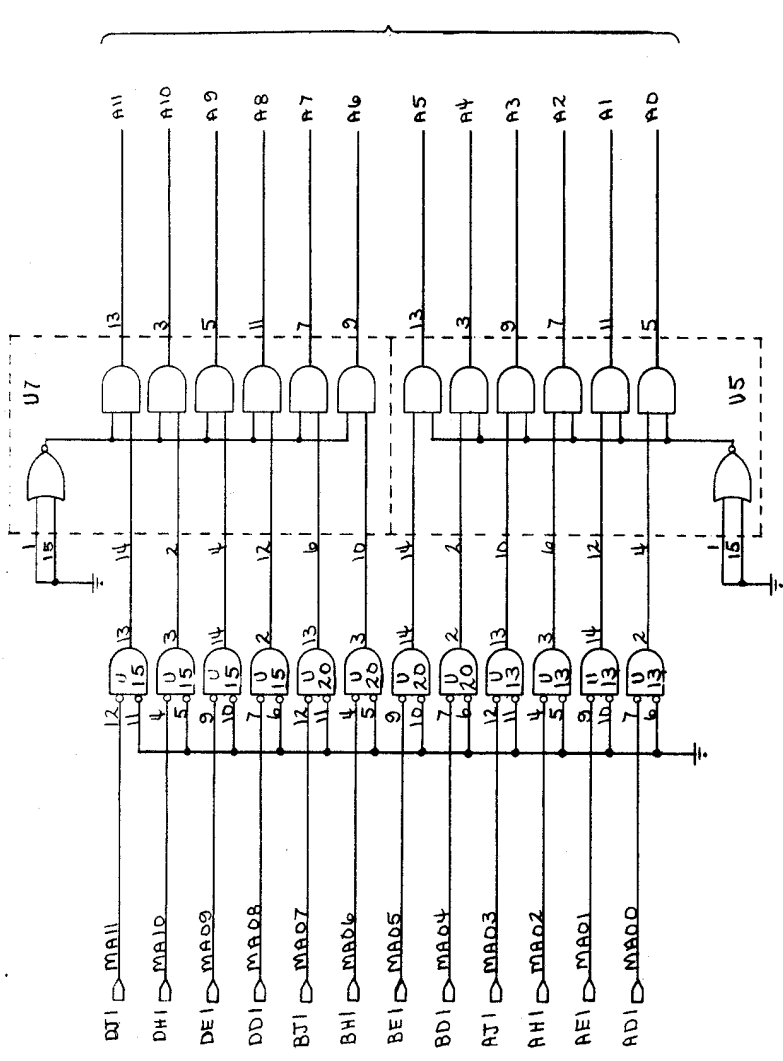
For current information on prices and delivery call (713) 488-8830, or write to our Marketing Department. Quantity discounts quoted upon request.

COMPUTER EXTENSION SYSTEMS, INC.

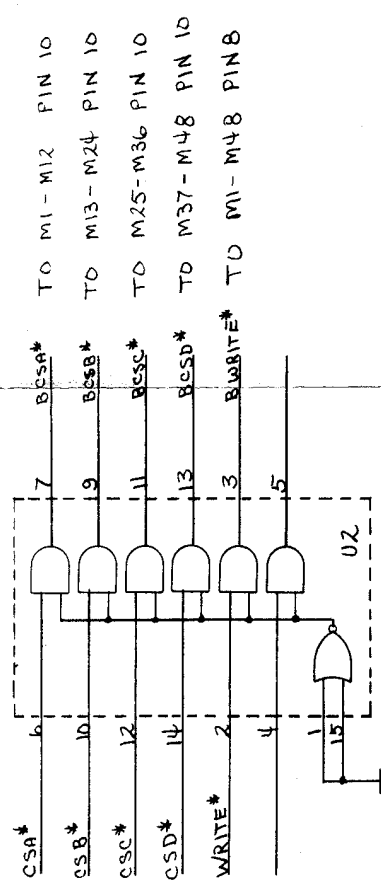
17511 El Camino Real

Houston, Texas 77058

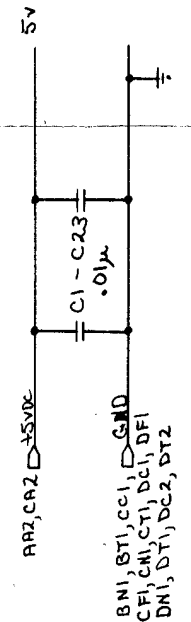
Telephone (713) 488-8830



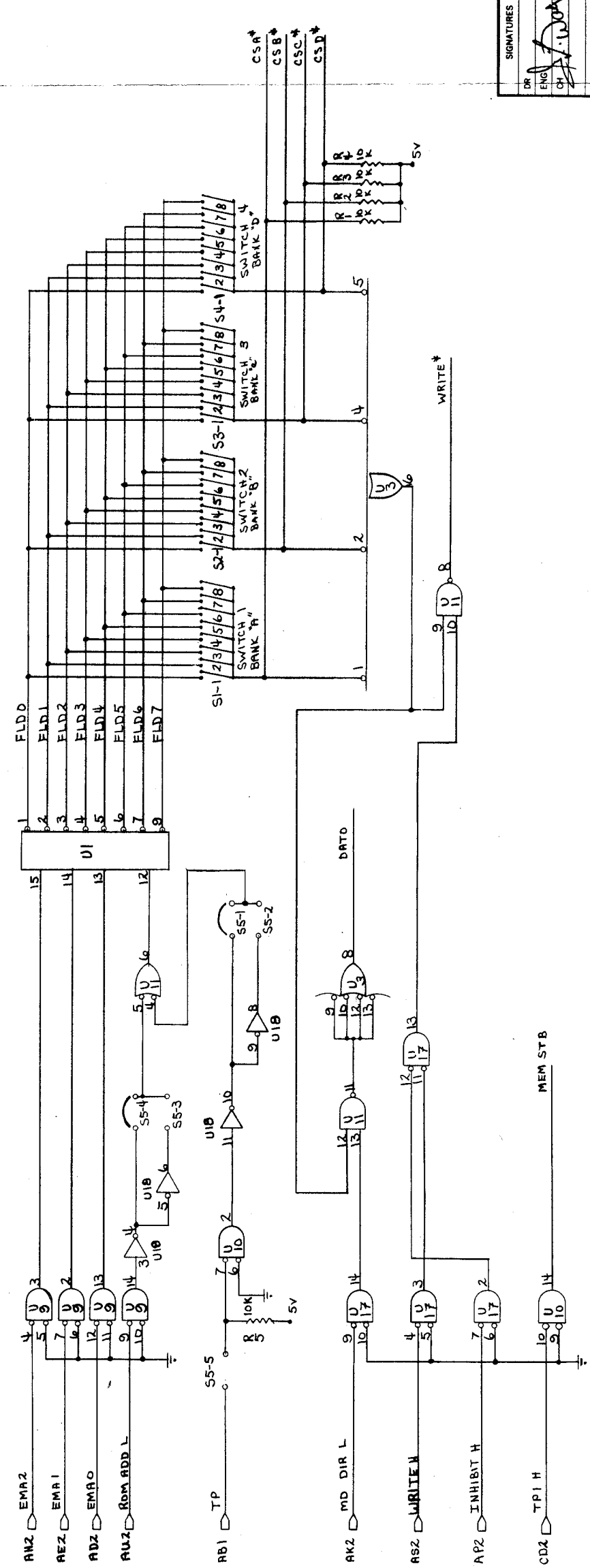
TO MI-M48
ADDRESS INPUTS



CSA* TO M1-M12 PIN 10
CSB* TO M13-M24 PIN 10
CSC* TO M25-M36 PIN 10
CSD* TO M37-M48 PIN 10
WRITE* TO M1-M48 PIN 8

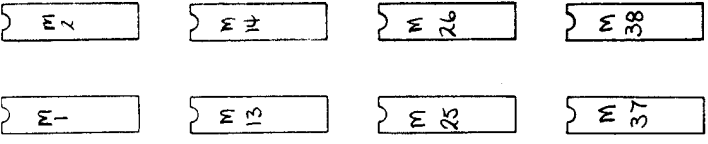


BN1, BT1, CC1, DND
CF1, CH1, CT1, DC1, DF1
DN1, DT1, DC2, DT2

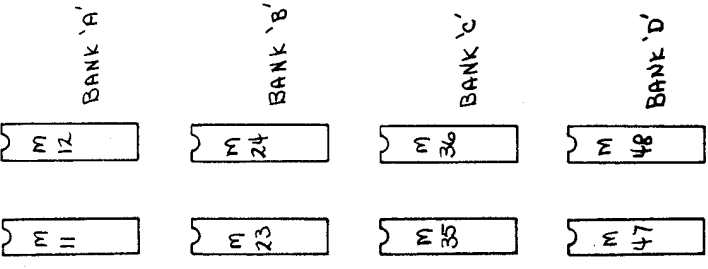


SIGNATURES		DATE
DR	<i>[Signature]</i>	5-11-77
ENG		
CHK		
APP		
AUTH		
REV	A	5-11-77
SCALE		
CODE IDENT NO		PDP8
SIZE		D
DWS NO		7702-1
COMPUTER EXTENSION SYSTEMS, INC.		
VM816		
SHEET		1/3

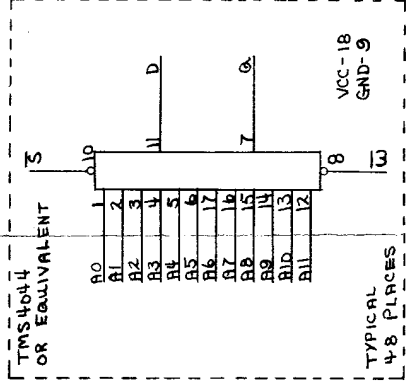
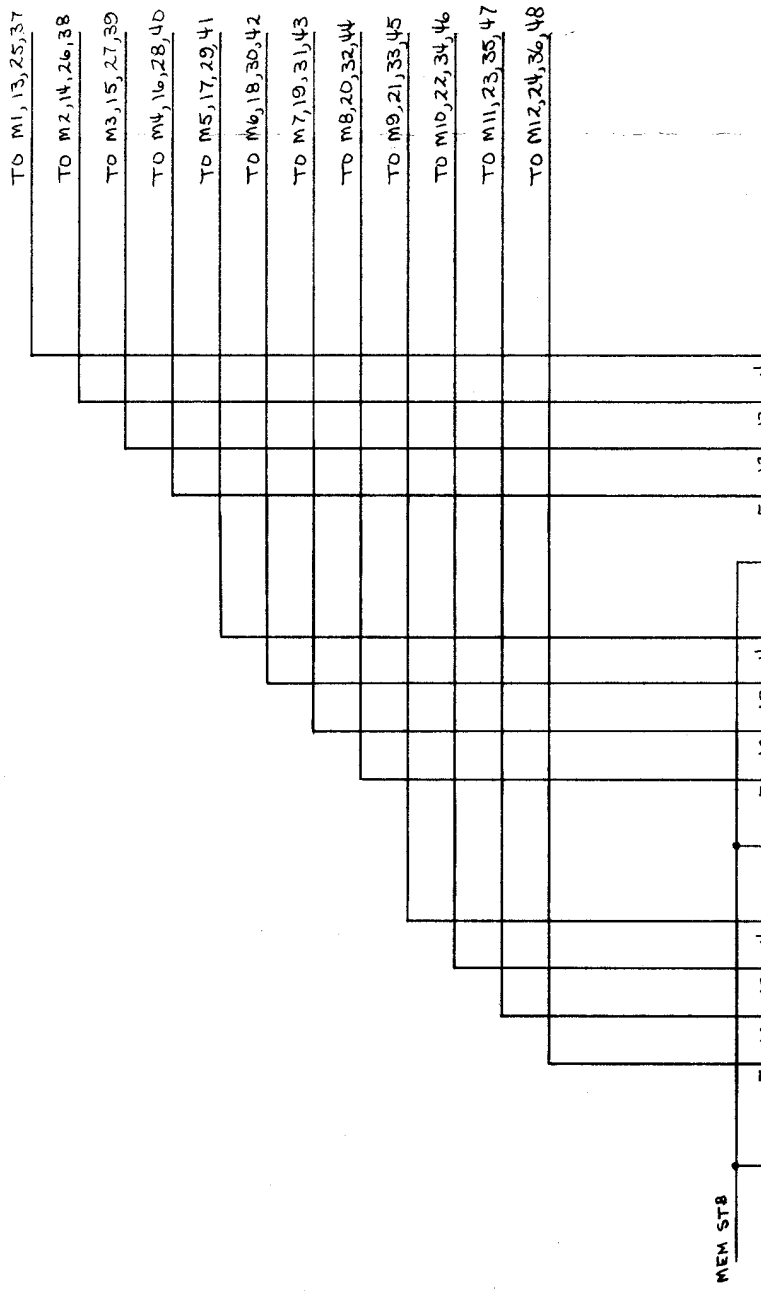
LSB



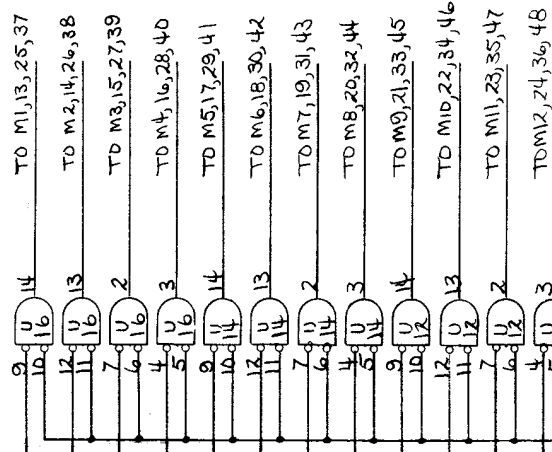
MSB



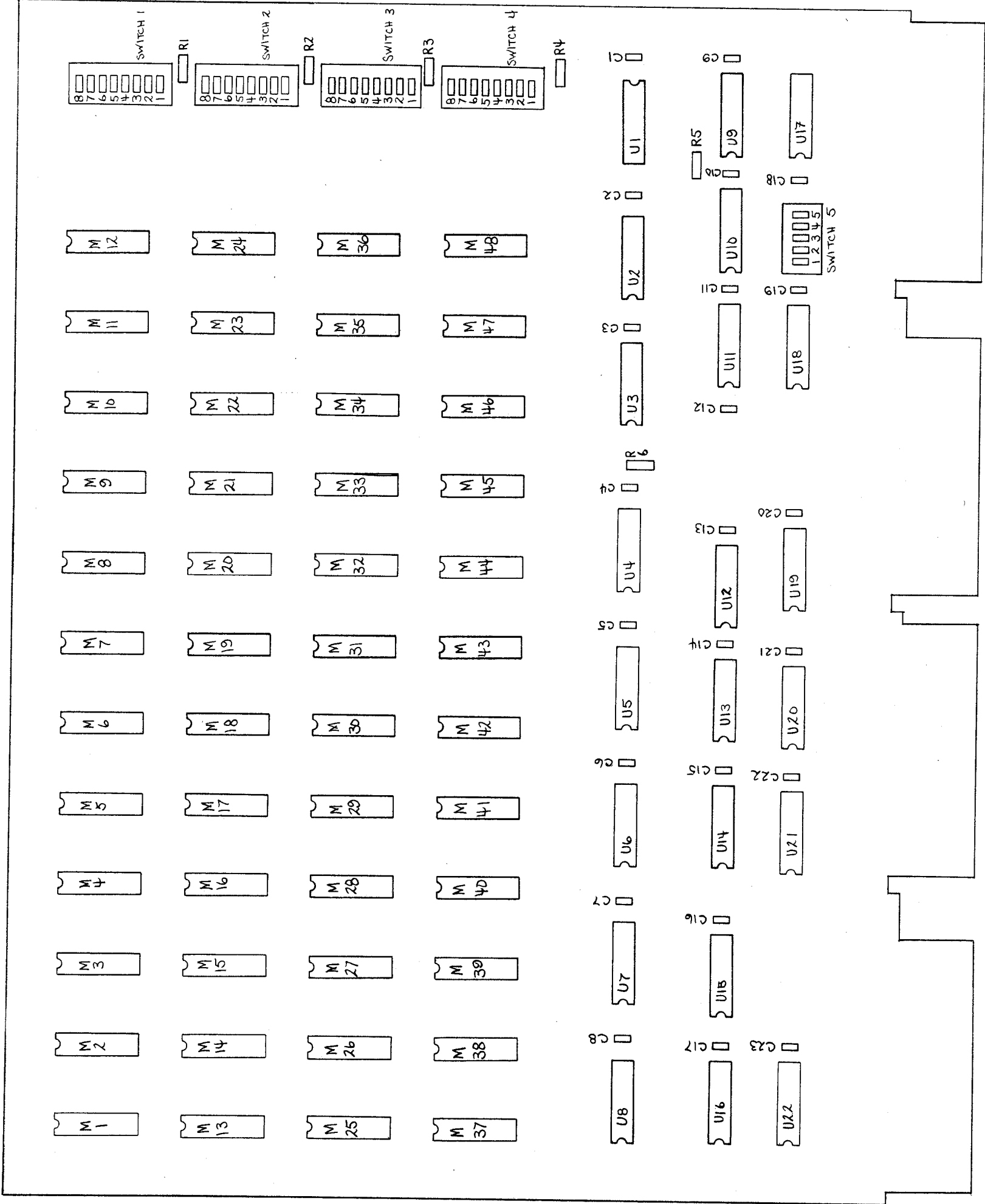
MEMORY IC'S
DATA OUTPUT
PIN 7



MEMORY IC'S
DATA INPUT
PIN 11



SIGNATURES		DATE
DR		
ENG		
CHK		5/14/77
APP		
AUTH		
COMPUTER EXTENSION SYSTEMS, INC.		
VM816		
CODE IDENT NO	SIZE	DWG NO
PDP 8	D	7702-Z
SCALE		SHEET 2 of 3



DESIG.	TYPE	MFR.
C1-C23	01μF	USCC C43C103Z
C24-C25	30PF	KEMET C14
M1-M48	TMS4044	T.I.
U1	7442	T.I.
U2,5,7	74365	T.I.
U3	7440	T.I.
U4,6,8	74175	T.I.
U9,10,13-17,20	SP380	SIG
U11	7400	T.I.
U18	7404	T.I.
U19,21-22	7439	T.I.
R1-6	10K ±W 5%	
SW1-4	PIP8	RCL
SW5 *	PIP5	RCL
14 PIN SOCKET	C84-14-02	T.I.
16 PIN SOCKET	C84-16-02	T.I.
18 PIN SOCKET	C84-18-02	T.I.
HANDLES	6200	SAE

*

**

* SWITCH 5 MAY BE REPLACED WITH
PRWIRED HARDWARE JUMPERS.

** NOT SHOWN

SIGNATURES		DATE
DR		
ENGR	<i>J. D. [Signature]</i>	5/14/77
CHK		
APP		
AUTH		
REV A 8-22-77		
CODE IDENT NO. PDP8		SIZE DWG NO. D
COMPUTER EXTENSION SYSTEMS, INC.		SCALE
VM816		
		7702-3
		SHEET 372