

## DAC and power supply

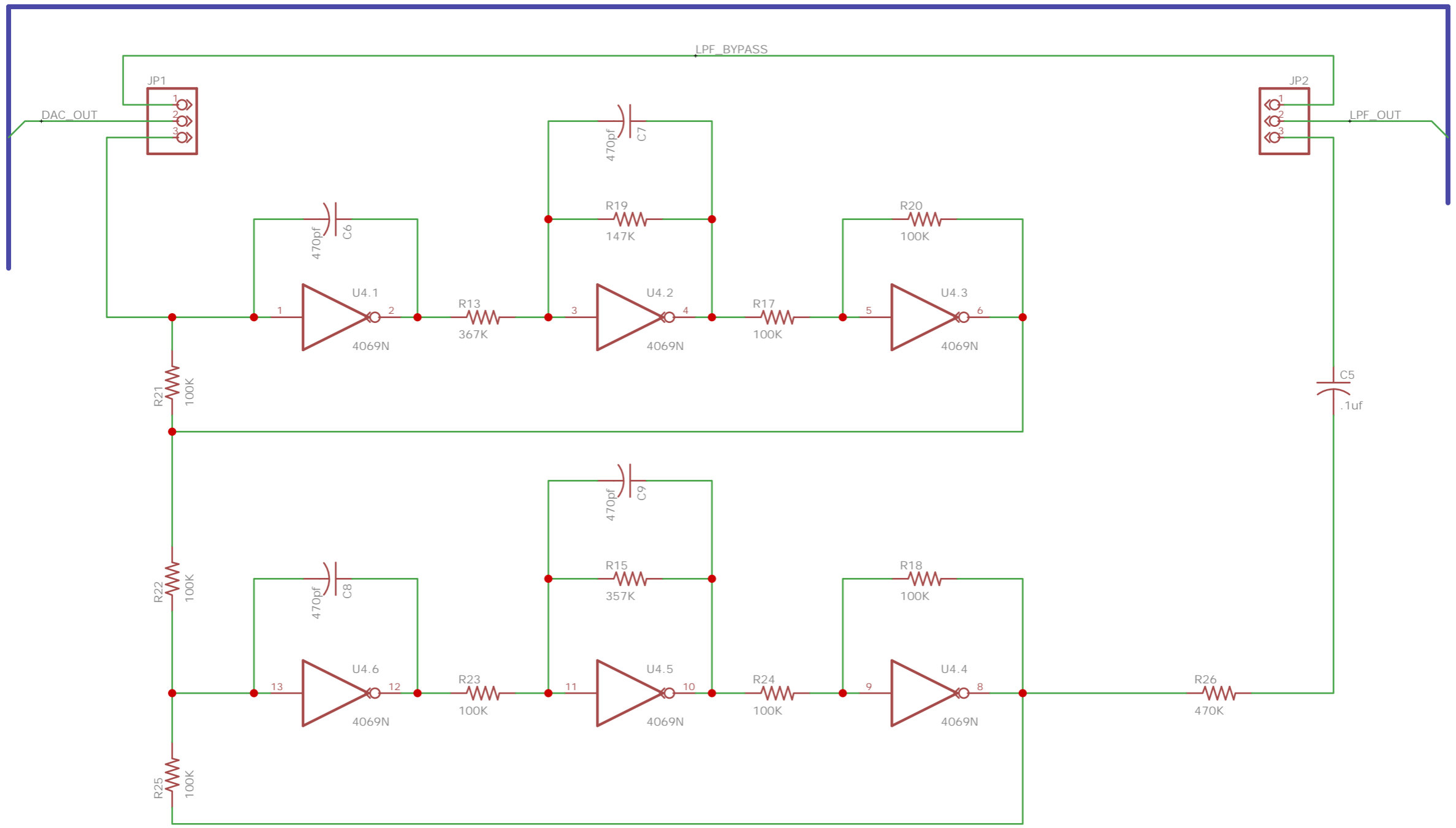
TITLE: >DRAWING\_NAME

Document Number:

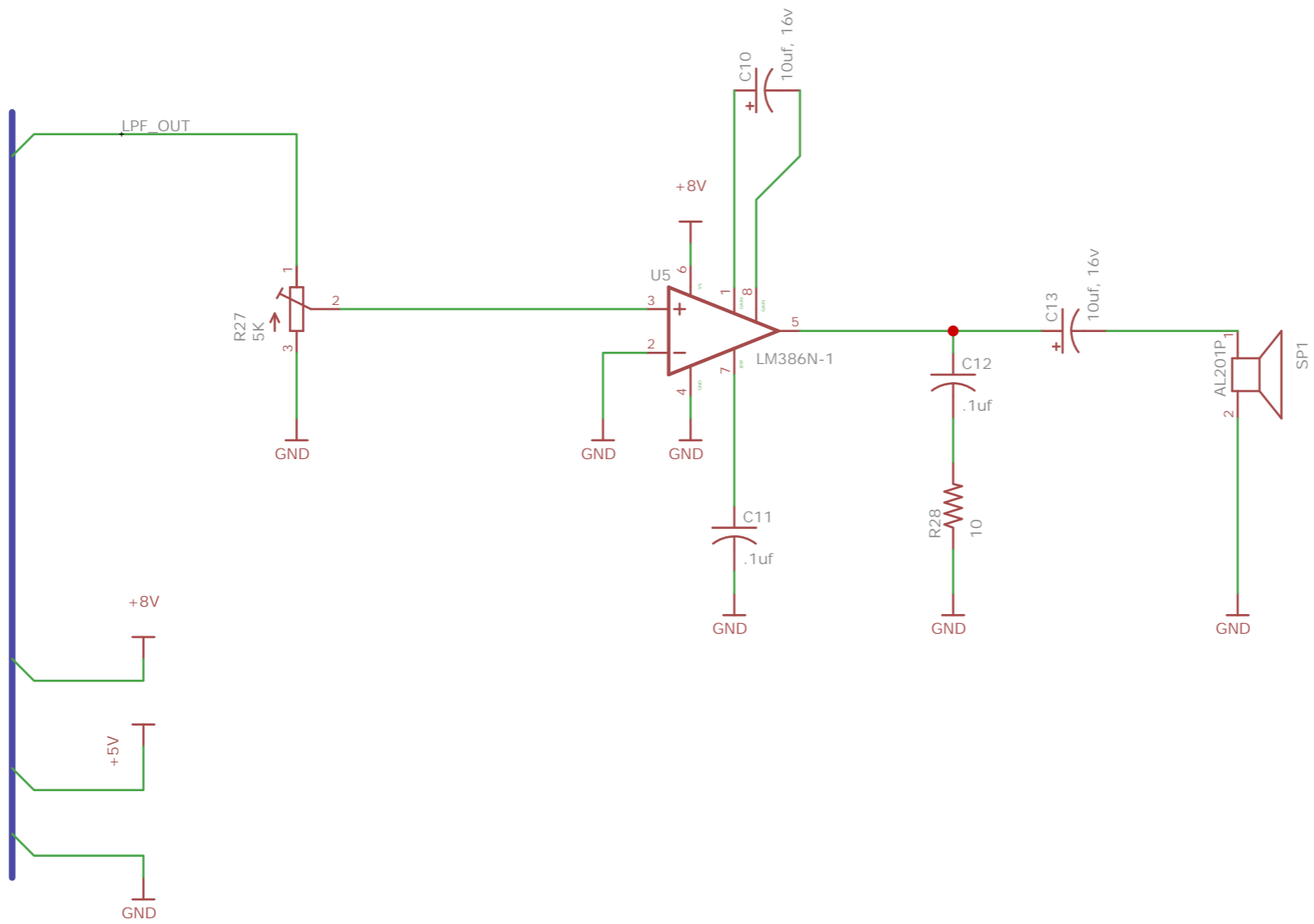
REV:

Date: >LAST\_DATE\_TIME

Sheet: >SHEET



Low Pass Filter	
TITLE: >DRAWING_NAME	
Document Number:	REV:
Date: >LAST_DATE_TIME	Sheet: >SHEET



<h2>Audio Amplifier</h2>	
TITLE: >DRAWING_NAME	
Document Number:	REV:
Date: >LAST_DATE_TIME	Sheet: >SHEET

ID	Name	Designator	Footprint	Quantity
1	10uf, 16v	C1,C10,C13	E2,5-6	3
2	.1uf	C2,C3,C5,C11,C12	C025-025X050	5
3	.1uf	C4	C025-024X044	1
4	470pf	C6,C7,C8,C9	C050-045X075	4
5	SS-30_BOARD_CONNECTOR	J1	SS-30	1
6	PINHD-1X3	JP1,JP2	1X03	2
7	20K	R1,R2,R3,R4,R5,R6	0204/7	6
8	10K	R7,R8,R9,R10,R11,R12	0204/7	6
9	367K	R13	0204/7	1
10	330K	R14	0204/7	1
11	357K	R15	0204/7	1
12	4.7K	R16	0204/7	1
13	100K	R17,R18,R20,R21,R22,R23,R24,R25	0204/7	8
14	147K	R19	0204/7	1
15	470K	R26	0204/7	1
16	5K	R27	RTRIM43P	1
17	10	R28	0204/7	1
18	AL201P	SP1	AL201P	1
19	LM386N-1	U5	DIL08	1
20	7805	VR1	78XXL	1
21	FRAME-LETTER	FRAME1,FRAME3		2
22	LETTER_L	FRAME2		1
23	74LS10N	U1	DIL14	1
24	74LS174N	U2	DIL16	1
25	4050N	U3	DIL16	1
26	4069N	U4	DIL14	1