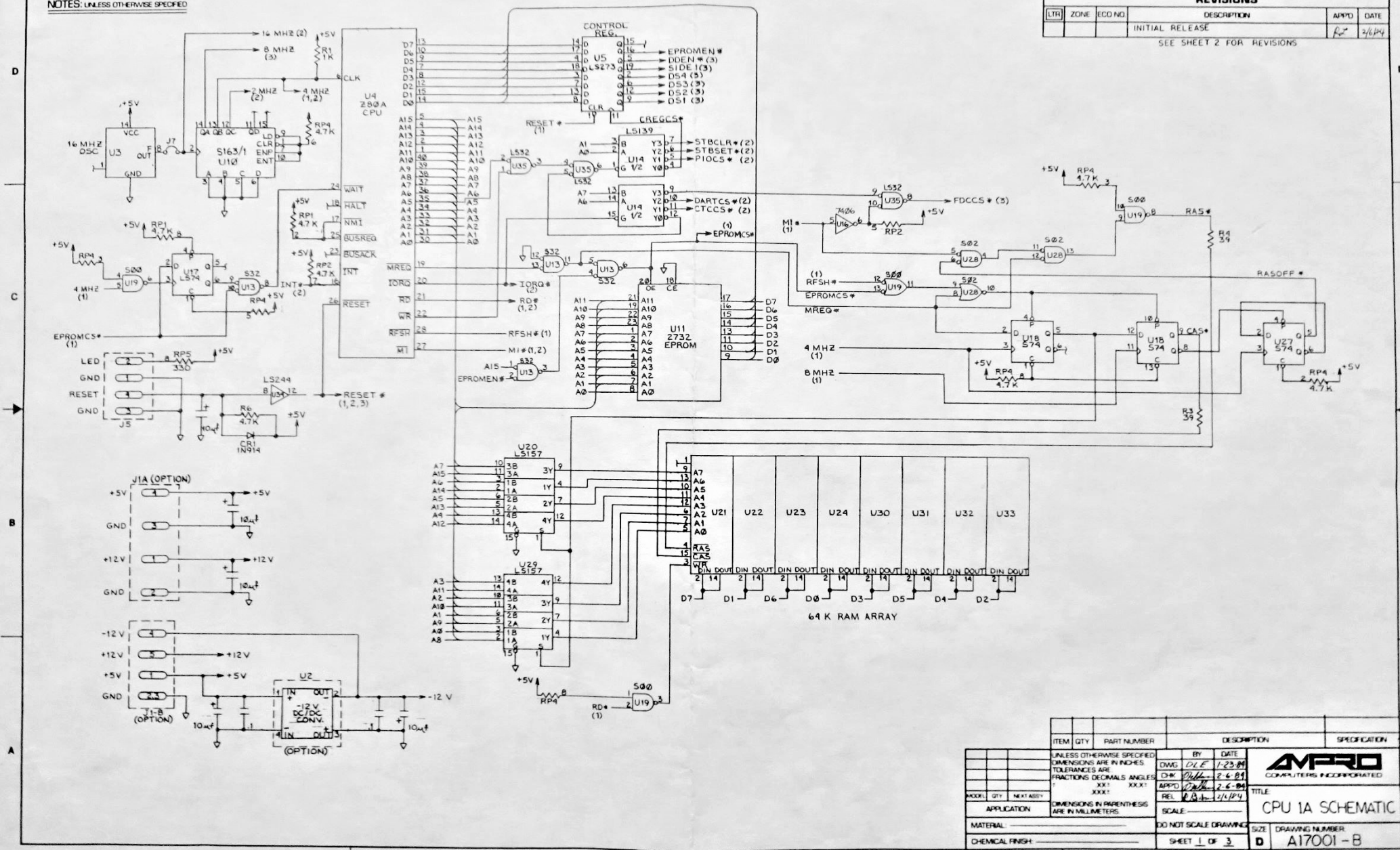


NOTES: UNLESS OTHERWISE SPECIFIED

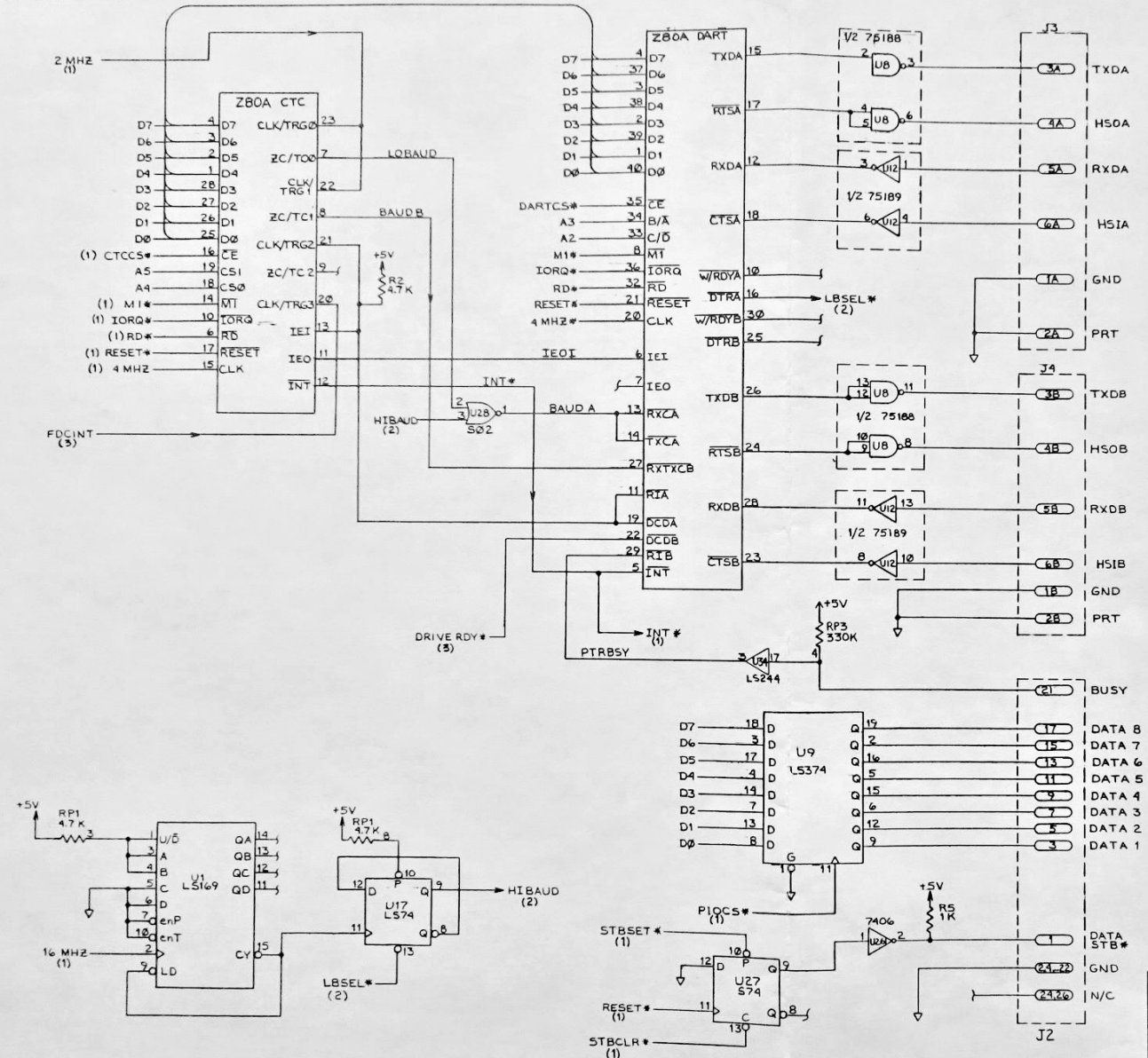
SIZE	D	DRAWING NUMBER	A17001-B		
REVISIONS					
[LTH]	ZONE	ECD NO	DESCRIPTION	APPRO	DATE
			INITIAL RELEASE	R	2/6/84
SEE SHEET 2 FOR REVISIONS					



ITEM	QTY	PART NUMBER	DESCRIPTION	SPECIFICATION
			UNLESS OTHERWISE SPECIFIED DIMENSIONS ARE IN INCHES TOLERANCES ARE FRACTIONS DECIMALS ANGLES XXX' XXX'	
MODEL	QTY	NEXT ASSY	DATE	
APPLICATION			BY: DLE 1-23-84	
MATERIAL			CHK: [Signature] 2-6-84	
CHEMICAL FINISH			APPD: [Signature] 2-6-84	
			REL: [Signature] 1/1/84	
TITLE			CPU 1A SCHEMATIC	
SCALE			DO NOT SCALE DRAWING	
SHEET 1 OF 3			SIZE	D
			DRAWING NUMBER	A17001-B

NOTES: UNLESS OTHERWISE SPECIFIED

SIZE	D	DRAWING NUMBER	A17001-B		
REVISIONS					
LTR	ZONE	ECO NO.	DESCRIPTION	APPD	DATE
A			INITIAL RELEASE	K	7/4/84
B	1-D4		ADDED '1' TO S163; RP5-B IS 330, DELETED 'K' (NO CHANGE TO BOARD)	(1)	7.9.84



ITEM	QTY	PART NUMBER	DESCRIPTION	SPECIFICATION
UNLESS OTHERWISE SPECIFIED				
DIMENSIONS ARE IN INCHES				
TOLERANCES ARE				
FRACTIONS DECIMALS ANGLES				
XXX" XXX' XXX"				
XXX"				
MODEL	QTY	NEXT ASSY	REL	DATE
APPLICATION	DIMENSIONS IN PARENTHESIS ARE IN MILLIMETERS		SCALE	DATE
MATERIAL	DO NOT SCALE DRAWING		SCALE	DATE
CHEMICAL FINISH	SHEET 2 OF 3		SCALE	DATE



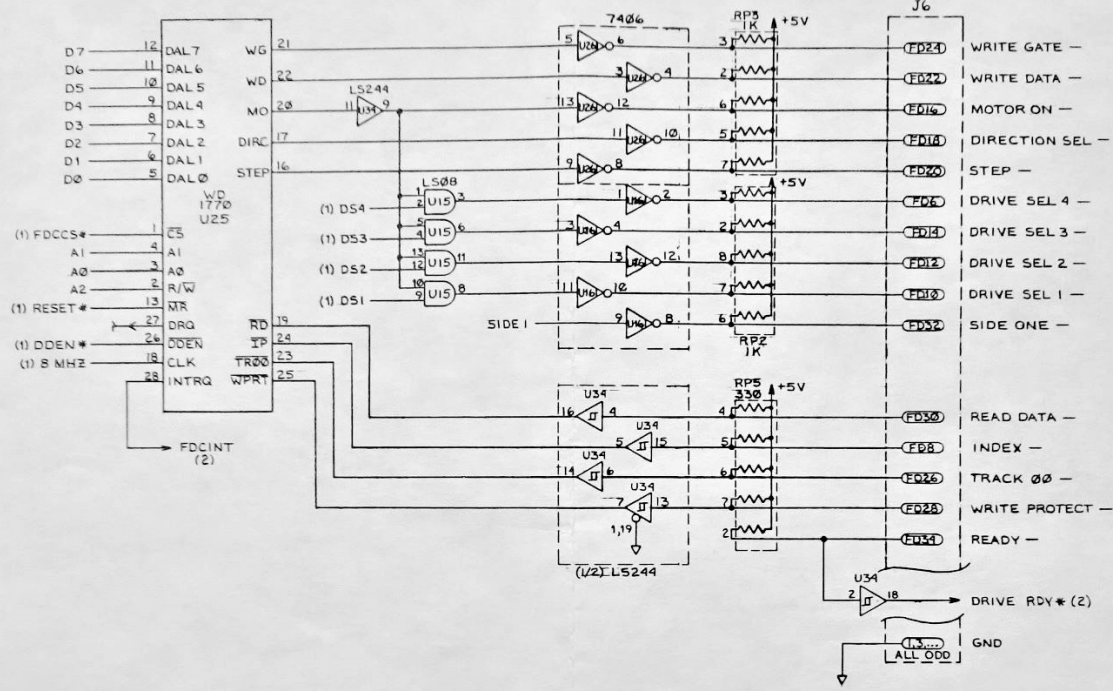
TITLE
CPU IA SCHEMATIC

SIZE
DRAWING NUMBER
A17001-B

NOTES: UNLESS OTHERWISE SPECIFIED
 1. NUMBERS IN PARENTHESIS INDICATE SHEET NUMBER OF SCHEMATIC.

SIZE	D	DRAWING NUMBER	A17001-B	
REVISIONS				
LT#	ZONE	ECO NO.	DESCRIPTION	APPD DATE
A			INITIAL RELEASE	LZ 2/6/84
SEE SHEET 2 FOR REVISIONS				

FLOPPY DISK CONTROLLER



REF	QNT	+5V	+12V	-12V
U1	8	16		
U2	3, 4	1		2
U3	7	14		
U4	29	11		
U5	10	20		
U6	5	24		
U7	31	9		
U8	7		14	1
U9	10	20		
U10	8	16		
U11	10	24		
U12	7	14		
U13	7	14		
U14	8	16		
U15	7	14		
U16	7	14		
U17	7	14		
U18	7	14		
U19	14	7		
U20	8	16		
U21	16	8		
U22	16	8		
U23	16	8		
U24	16	8		
U25	14	15		
U26	7	14		
U27	7	14		
U28	7	14		
U29	8	16		
U30	16	8		
U31	16	8		
U32	16	8		
U33	16	8		
U34	10	20		
U35	7	14		

ITEM	QTY	PART NUMBER	DESCRIPTION	SPECIFICATION
UNLESS OTHERWISE SPECIFIED DIMENSIONS ARE IN INCHES TOLERANCES ARE: FRACTIONS DECIMALS ANGLES XXX XXX XXX XXX				
MODEL	QTY	NEXT ASSY.	SCALE	DATE
APPLICATION			SCALE	DATE
MATERIAL			SCALE	DATE
CHEMICAL FINISH			SCALE	DATE
DO NOT SCALE DRAWING			SCALE	DATE
SHEET 3 OF 3			SCALE	DATE



TITLE: CPU 1A SCHEMATIC

SIZE: D DRAWING NUMBER: A17001-B